



Application

Chimneys or gas vents serving gas or liquid burning appliances such as fireplaces, ovens, and domestic heating appliances. Suitable for placement in connectors or common manifold/breechings

Listings and Ratings

UL378, Standard for Draft Equipment
Standard GFD Model listed up to 550°F for continuous operation
(Optional listed up to 1,000°F for continuous operation)
NEMA 3R Outdoor / Indoor rated enclosure

Construction

20 gauge 316L stainless steel housing and blade
1/2" graphite sealed bearings
GFD Model includes viton seal on damper blade
GFD Model Leakage Rate 10 CFH @ 3" W.C.

Description

The GFD (Gas Flue Damper) is a two stage damper that closes when the appliance is not in use to prevent conditioned air from escaping, and prevent backdraft down the chimney.

The GFD has an optional integrated RSD fan adapter for installation at the termination.

Includes a capacitor return safety mechanism
'G' Model includes viton seal on damper blade to create positive seal in off position, ensuring no air movement through an off appliance
Available in sized from 4" ID to 20" ID

Standard Equipment

316L stainless steel construction with graphite bearings
Fast acting actuator, 2s or 4s 0°-90° span
Open and closed position end switches

Ordering Matrix

GFD-XX
XX = Size - 4-20

Warranty

Two year mechanical warranty

©2019 All rights reserved. Information may be updated without notice. Visit www.KW-USA.com for the most current information

KW USA

A Division of RM Manifold Group, Inc
120 S. Sylvania Avenue, Suite A
Fort Worth, TX 76111
Phone: 817-393-4029
www.KW-USA.com

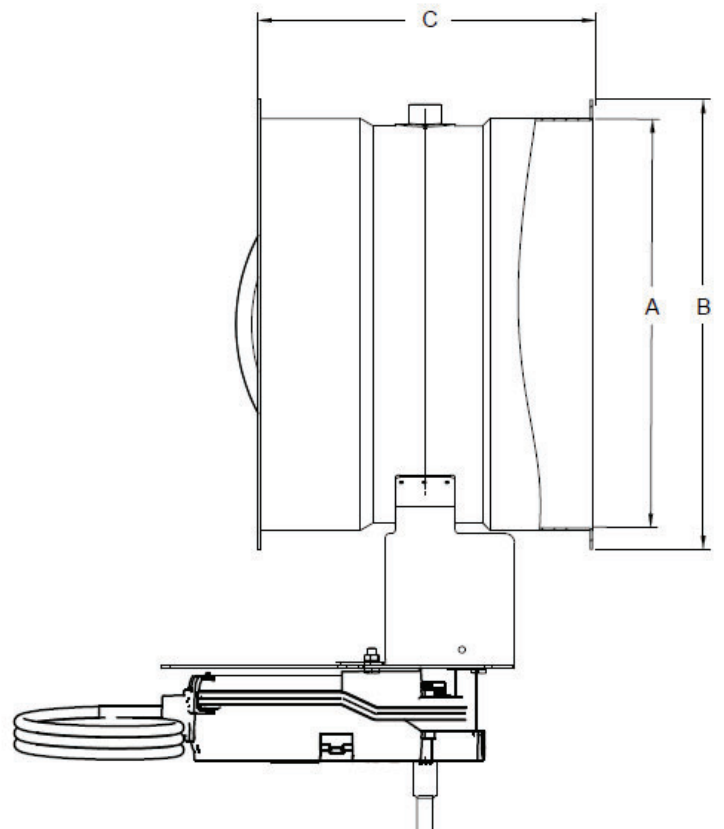
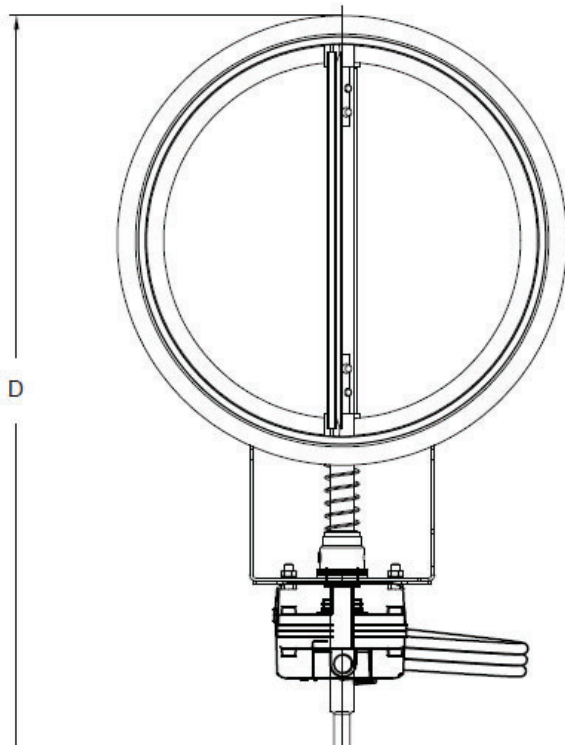


Dimensional Information

Model	A	B	C	D
GFD-04	4"	4-7/8"	6-5/8"	11-1/4"
GFD-06	6"	6-7/8"	6-5/8"	12-7/8"
GFD-08	8"	8-7/8"	6-5/8"	14-7/8"
GFD-10	10"	10-7/8"	6-5/8"	16-7/8"
GFD-12	12"	12-7/8"	6-5/8"	19"
GFD-14	14"	14-7/8"	6-5/8"	21"
GFD-16	16"	16-7/8"	8-5/8"	23"
GFD-18	18"	19"	8-5/8"	26"
GFD-20	20"	21"	8-5/8"	28"



GFD Damper with RSD Fan



©2019 All rights reserved. Information may be updated without notice. Visit www.KW-USA.com for the most current information

KW USA

A Division of RM Manifold Group, Inc
 120 S. Sylvania Avenue, Suite A
 Fort Worth, TX 76111
 Phone: 817-393-4029
www.KW-USA.com

GFD

Gas Flue Damper

Rev 0420